

Interface PCB

Accessory Connector

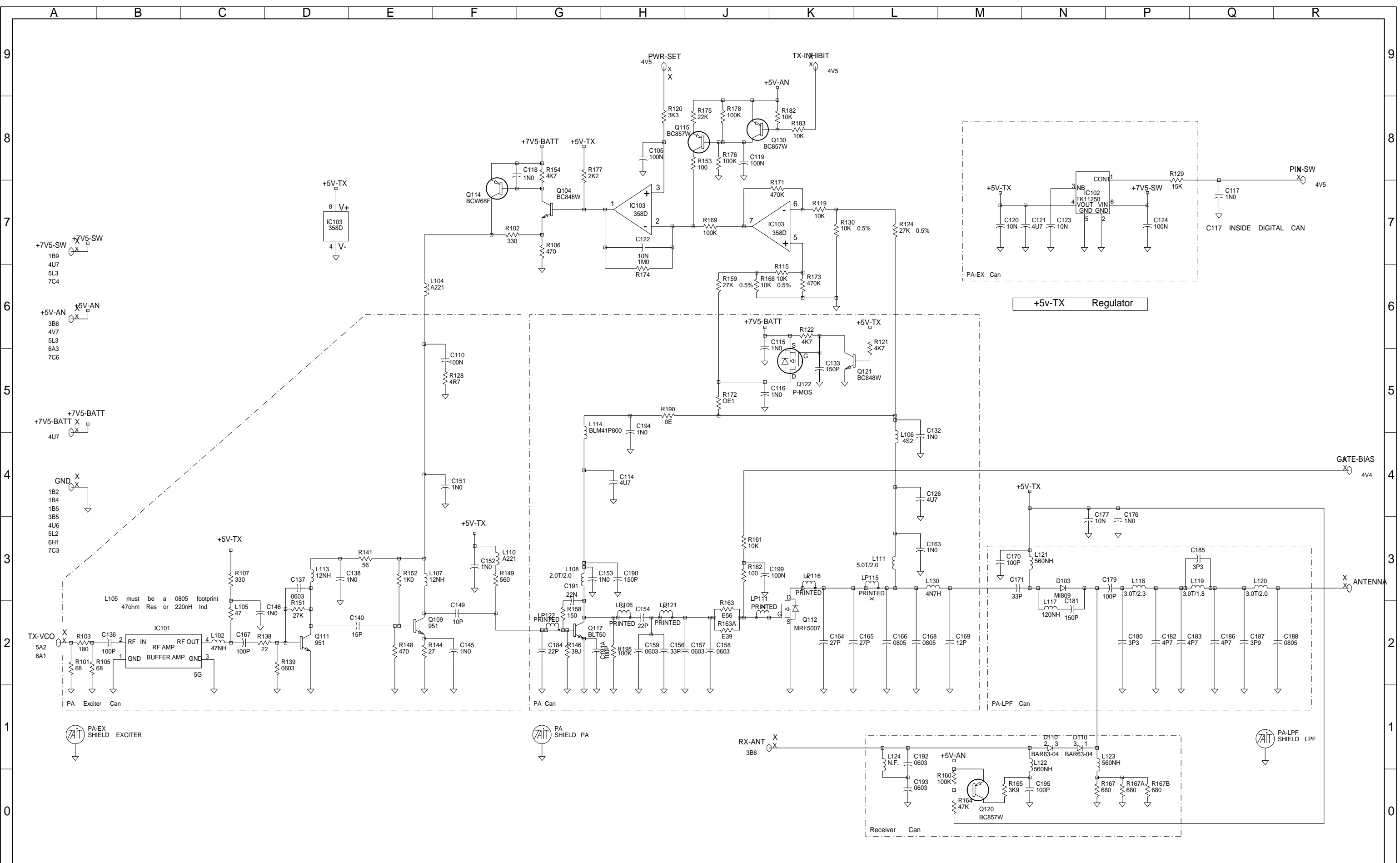
# PROCESSOR 252 SHEET 4 DSP AUDIO

08	UPDATED MUTE CIRCUITRY	DBH	X	X	X	X
REV/ISS	AMENDMENTS	DRAWN	CHKD	D.O.	APVD	DATE

© TAIT ELECTRONICS

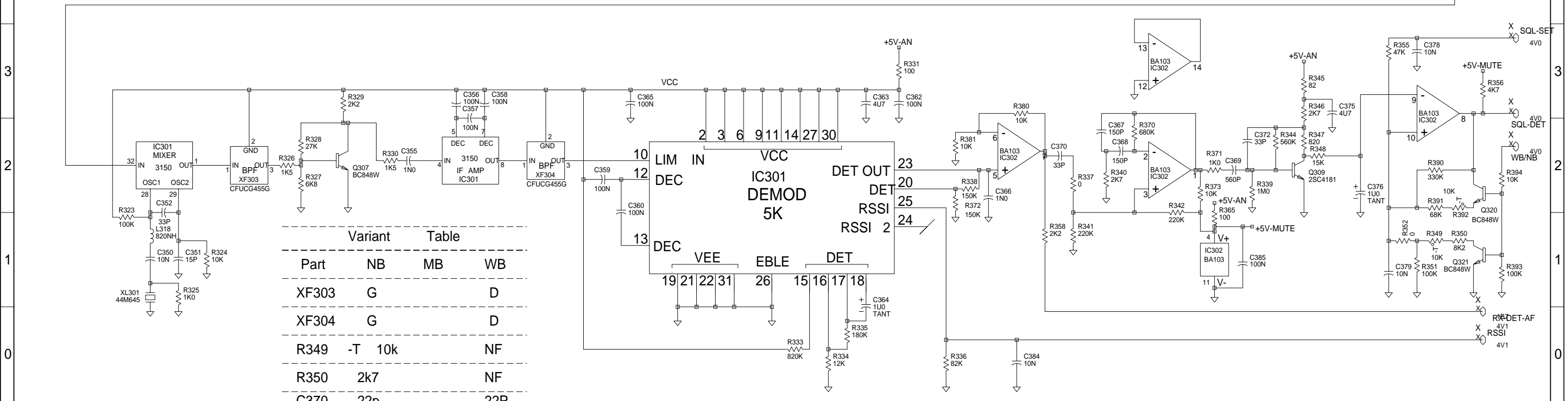
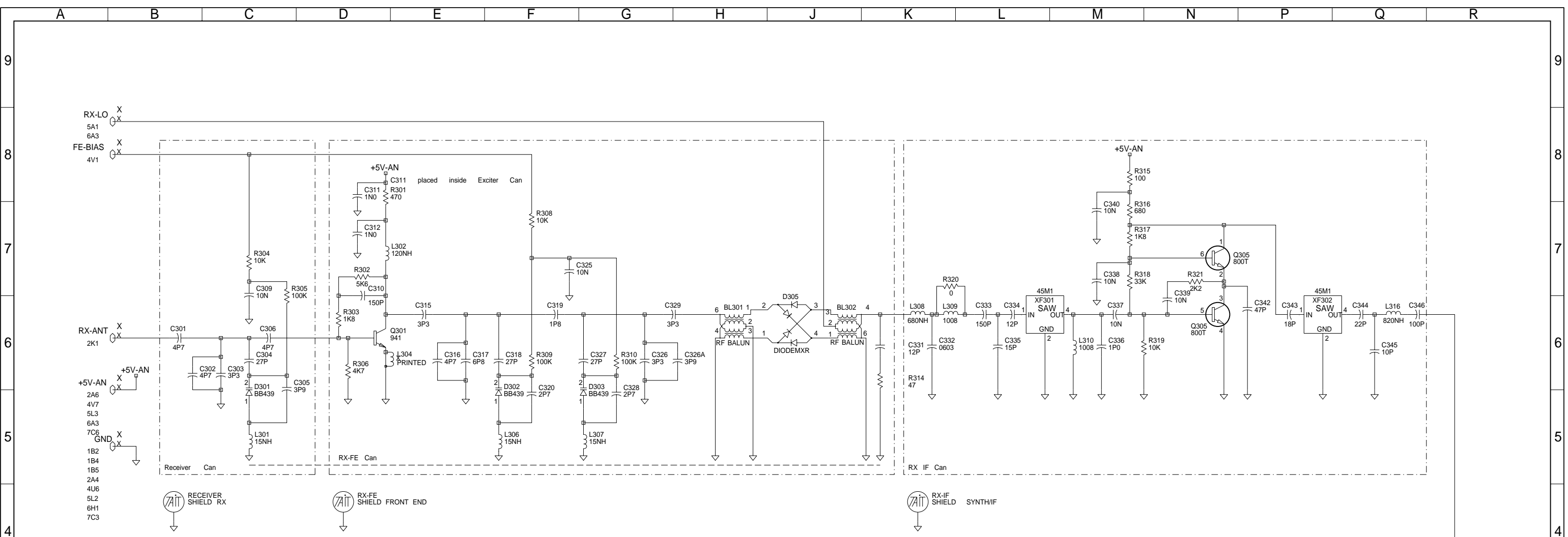
ORCA :TP010-5122 400-440MHZ  
SYSTEM DIAGRAM

IPN: 220-01392-08	ISSUE: A	ID: 2.S.C. 1
PROJECT: ORCA	DESIGNER: DBH	FILE NAME: 139208A
FILE DATE: 23-5-98	NO. SHEETS: 7	



© TAIT ELECTRONICS  
 ORCA :TP010-5122 400-440MHZ  
 POWER AMPLIFIER  
 IPN: 220-01392-08 ISSUE: A ID: 2.S.C. 2  
 PROJECT: ORCA DESIGNER: DBH FILE NAME: 139208A FILE DATE: 23-5-98 NO.SHEETS: 7

REV/ISS	AMENDMENTS	DRAWN	CHKD	D.O.	APVD	DATE
A						

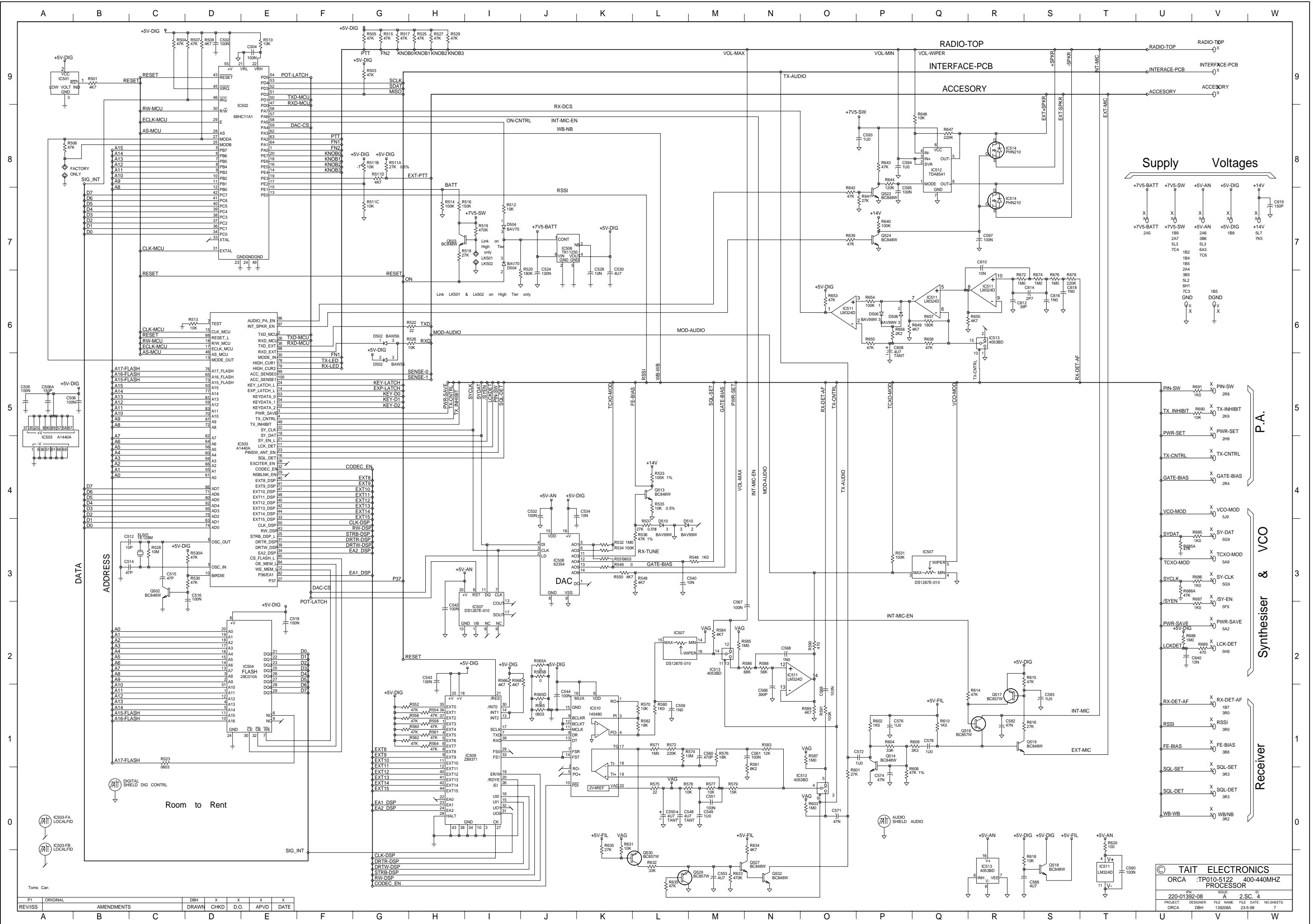


Variant Table

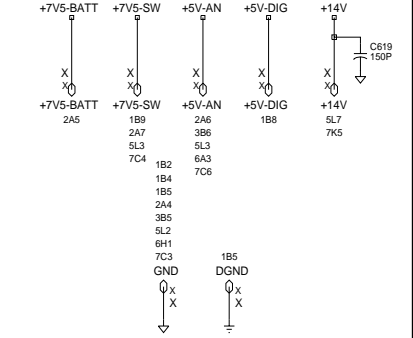
Part	NB	MB	WB
XF303	G		D
XF304	G		D
R349	-T	10k	NF
R350	2k7		NF
C370	22p		22P
C369	330P		330P

© TAIT ELECTRONICS  
 ORCA :TP010-5122 400-440MHZ RECEIVER  
 IPN: 220-01392-08 ISSUE: A 2.S.C. 3  
 PROJECT: ORCA DESIGNER: DBH FILE NAME: 139208A FILE DATE: 23-5-98 NO.SHEETS: 7

REV/ISS	AMENDMENTS	DRAWN	CHKD	D.O.	APVD	DATE
A						



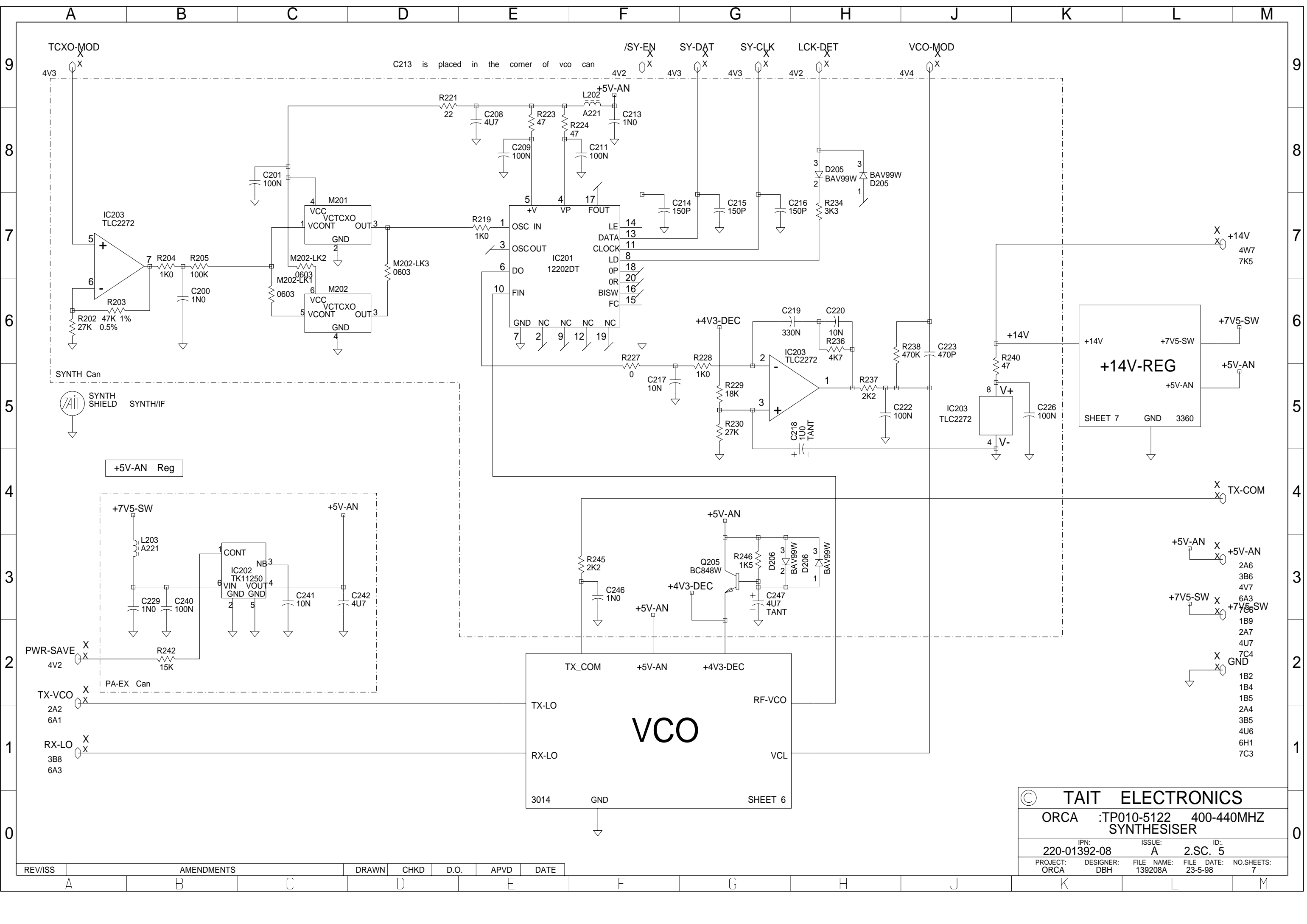
**Supply Voltages**



- PIN-SW X PIN-SW 288
- TX-INHIBIT X TX-INHIBIT 289
- PWR-SET X PWR-SET 289
- TX-CNTRL X TX-CNTRL 289
- GATE-BIAS X GATE-BIAS 284
- VCO-MOD X VCO-MOD 510
- SYDAT X SY-DAT 509
- TCXO-MOD X TCXO-MOD 549
- SYCLK X SY-CLK 509
- SYEN X SY-EN 509
- PWR-SAVE X PWR-SAVE 5A2
- LCK-DET X LCK-DET 549
- RX-DET-AF X RX-DET-AF 187
- RSSI X RSSI 380
- FE-BIAS X FE-BIAS 388
- SOL-SET X SOL-SET 383
- SOL-DET X SOL-DET 383
- WB-WB X WB-WB 382

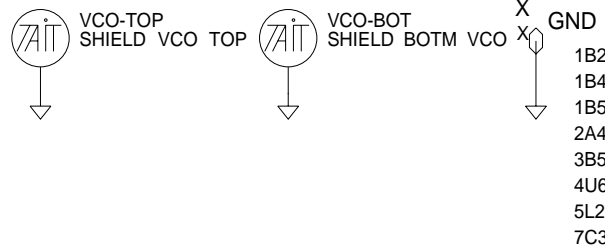
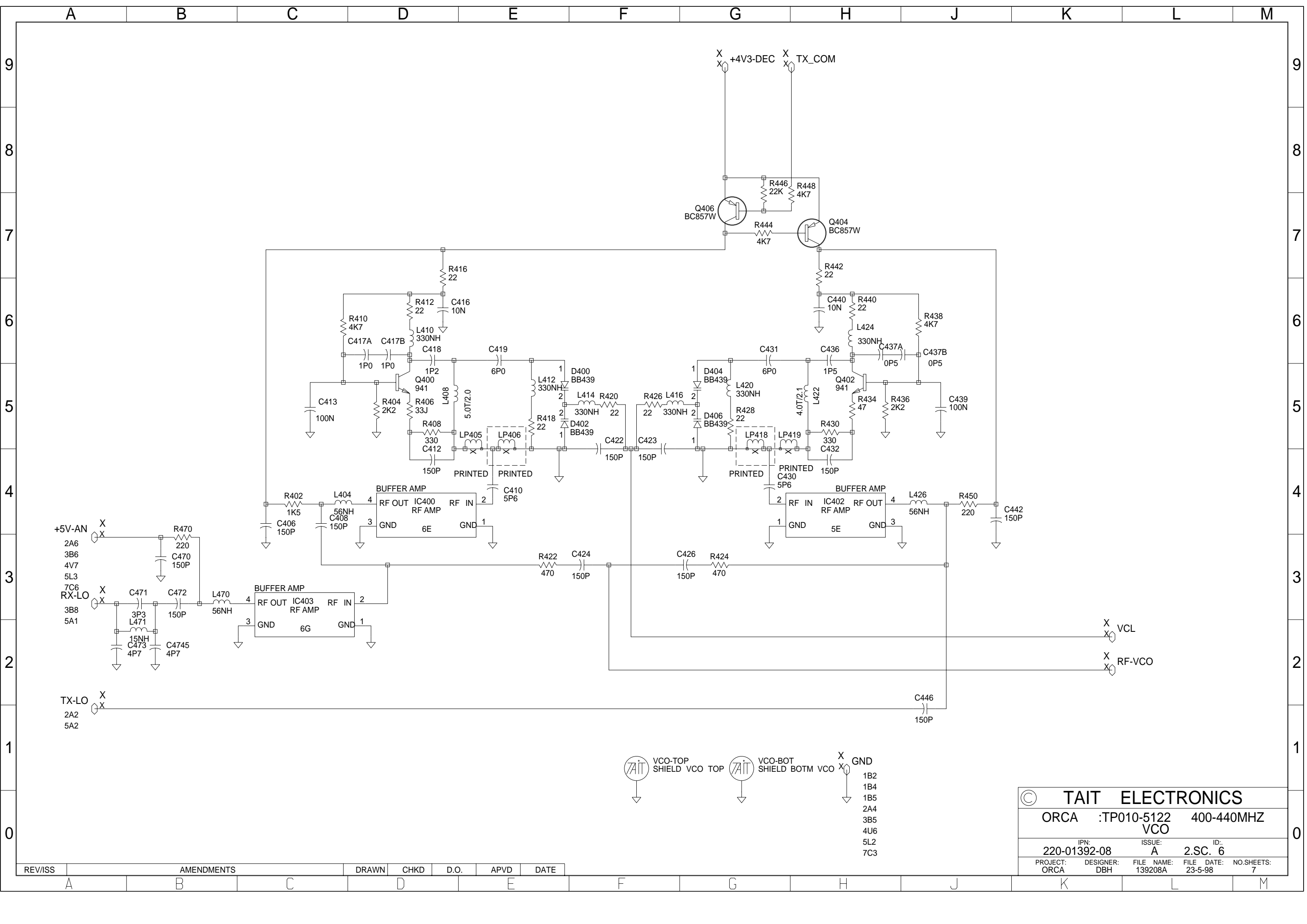
© TAIT ELECTRONICS  
 ORCA :TP010-5122 400-440MHZ  
 PROCESSOR  
 220-01392-08 2 SC 4  
 PROJECT: DESIGNER: FILE NAME: FILE DATE: NO SHEETS: 7  
 ORCA DBH 138208A 23-5-98

REV/ISS	ORIGINAL	AMENDMENTS	DBH	X	X	X	X
			DRAWN	CHKD	D.O.	APVD	DATE
A							
B							
C							
D							
E							
F							
G							
H							
I							
J							
K							
L							
M							
N							
O							
P							
Q							
R							
S							
T							
U							
V							
W							



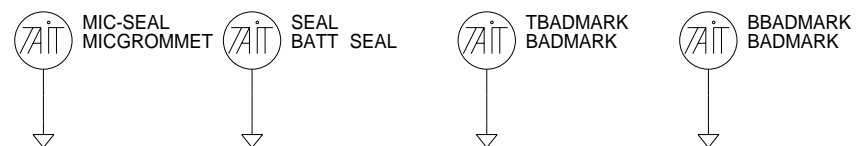
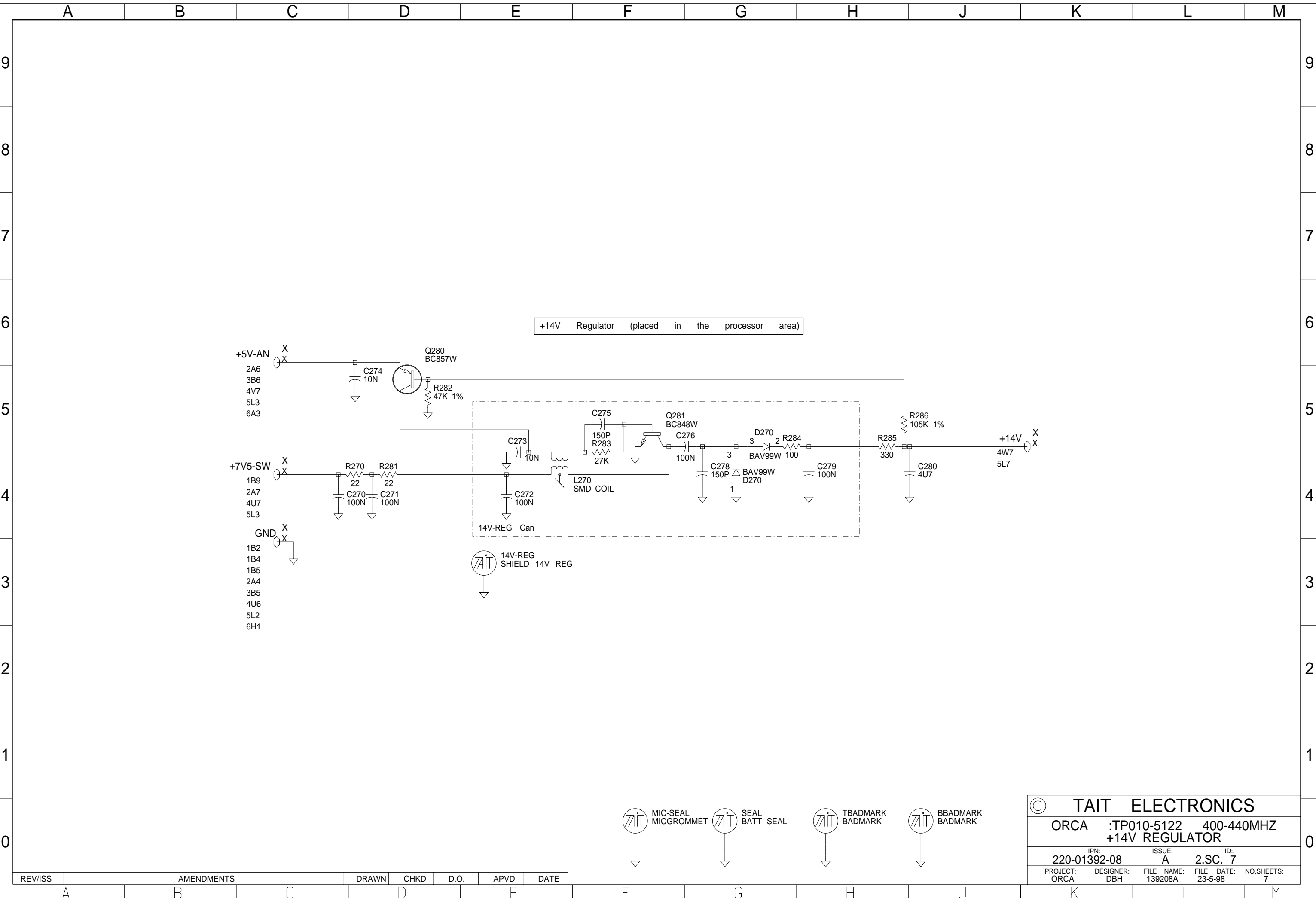
© TAIT ELECTRONICS				
ORCA :TP010-5122 400-440MHZ SYNTHESISER				
IPN:	ISSUE:	ID:		
220-01392-08	A	2.SC. 5		
PROJECT:	DESIGNER:	FILE NAME:	FILE DATE:	NO.SHEETS:
ORCA	DBH	139208A	23-5-98	7

REV/ISS	AMENDMENTS	DRAWN	CHKD	D.O.	APVD	DATE



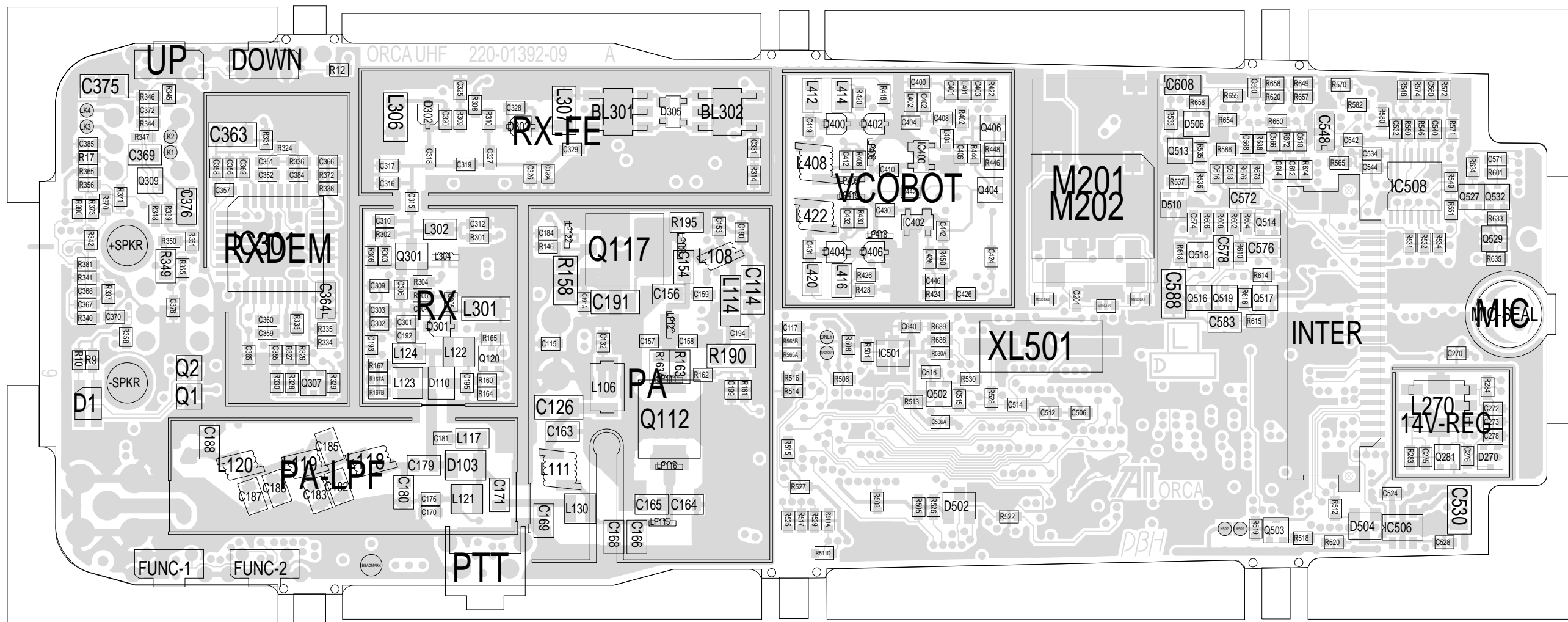
© TAIT ELECTRONICS				
ORCA	:TP010-5122	400-440MHZ	VCO	
IPN:	ISSUE:	ID:		
220-01392-08	A	2.SC. 6		
PROJECT:	DESIGNER:	FILE NAME:	FILE DATE:	NO.SHEETS:
ORCA	DBH	139208A	23-5-98	7

REV/ISS	AMENDMENTS	DRAWN	CHKD	D.O.	APVD	DATE



© TAIT ELECTRONICS				
ORCA		:TP010-5122		400-440MHZ
+14V REGULATOR				
IPN:		ISSUE:		ID:
220-01392-08		A		2.SC. 7
PROJECT:	DESIGNER:	FILE NAME:	FILE DATE:	NO.SHEETS:
ORCA	DBH	139208A	23-5-98	7

REV/ISS	AMENDMENTS		DRAWN	CHKD	D.O.	APVD	DATE
---------	------------	--	-------	------	------	------	------



TAIT ELECTRONICS IPN: 220-01392-09 ISS: -09A ID: 6.BA DATE: 17 Feb 1999  
 ORCA UHF PCB LAYOUT - BOTTOM SIDE

Scale: 2.3:1 ; Rotation: 0 degrees



